

# PANELS AND CLOSURES



		GALVALUME	WHITE	COLOR	
<p>B&amp;C PANEL</p>	<p>WEIGHT</p> <p>26 GA. (.95 PSF)</p> <p>PER LINEAR FOOT</p>	1.04	1.16	1.16	
		Call	Call	Call	
<p>"R" PANEL</p>	<p>WEIGHT</p> <p>29 GA. (. 82 PSF)</p> <p>26 GA. (. 96 PSF)</p> <p>24 GA. (1.25 PSF)</p>	QUOTE ONLY	QUOTE ONLY	QUOTE ONLY	
<p>"A" PANEL</p>					
<p>"M" PANEL</p>					

PANEL CLOSURES			PRICE PER EACH
	B & C PANEL OUTSIDE CLOSURE	#40130	Call
	B & C PANEL INSIDE CLOSURE	#40140	Call
	"R" PANEL OUTSIDE CLOSURE		Call
	"R" PANEL INSIDE CLOSURE		Call
	"A" PANEL OUTSIDE CLOSURE		Call
	"A" PANEL INSIDE CLOSURE		Call
	"M" PANEL OUTSIDE CLOSURE		Call
	"M" PANEL INSIDE CLOSURE		Call

<p><u>TAPE MASTIC</u> (3/32 X 1/2 X 50' ROLL)</p>	#41034	Call
---	--------	------

GENERAL NOTES:

- ① THE ABOVE PANEL PRICES ARE BASED ON SQUARE FEET OF COVERAGE
- ② ALL OF THE ABOVE PRICES ARE F.O.B. SCOTTSBLUFF, NE.
- ③ ALL PANELS ARE BANDED ONLY. AN ADDITIONAL CHARGE WILL BE ADDED FOR SPECIAL PACKAGING.
- ④ COLORED FINISH IS DEXSTAR 850. WHITE FINISH IS POLYESTER.
- ⑤ Call for Pricing 308-632-6188



# FLASHING PRICES



	LENGTH (WEIGHT)	LIST PRICE		LENGTH (WEIGHT)	LIST PRICE
<p>JF-1 (JAMB FLASHING) 4" X 26GA.</p>	10'-3" (3.42#)	Call	<p>BTF-1 (BRICK TOP FLASHING) 6" X 26GA.</p>	10'-3" (5.14#)	Call
	14'-6" (4.70#)	Call		14'-6" (6.86#)	Call
<p>WJF-1 (WIDE JAMB FLASHING) 4-3/4" X 26GA.</p>	10'-3" (3.90#)	Call	<p>SR-1 (SOFFIT RETAINER) 6" X 26GA.</p>	10'-3" (5.06#)	Call
	14'-6" (5.85#)	Call		14'-6" (7.30#)	Call
	20'-6" (8.29#)	Call		20'-6" (10.11#)	Call
<p>HS-1 (HEADER-SILL FLASHING) 5" X 26GA.</p>	10'-3" (4.10#)	Call	<p>CW-1 CEE WRAP 13 1/8" X 26GA.</p>	10'-3" (11.30#)	Call
	14'-6" (6.15#)	Call		14'-6" (15.65#)	Call
	20'-6" (8.72#)	Call		20'-6" (21.74#)	Call

GENERAL NOTES:

- ① THE ABOVE FLASHINGS ARE FOR STANDARD B&C STEEL PANELS
- ② THE ABOVE PRICES ARE COLORED, WHITE & GALVALUME AND ARE F.O.B. SCOTTSBLUFF, NE.
- ③ PLEASE SPECIFY ROOF PITCH FOR FLASHINGS THAT REQUIRE IT.
- ④ Call for pricing 308-632-6188

# FLASHING PRICES

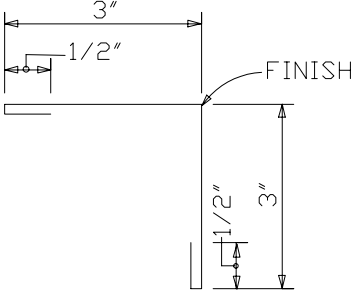
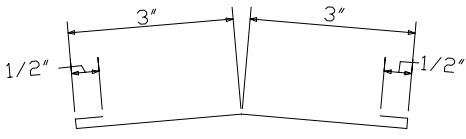
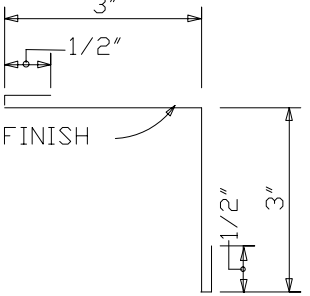
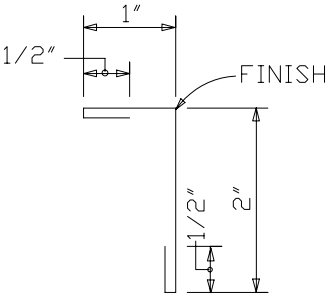
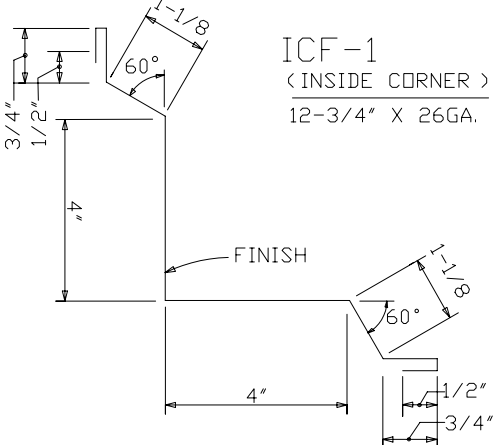
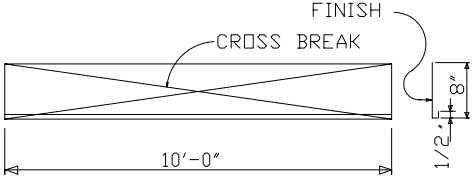
<p>BF-1 (BASE FLASHING) 6" X 26GA.</p>	<p>LENGTH (WEIGHT)</p>	<p>LIST PRICE</p>	<p>(SPECIFY ROOF PITCH)</p> <p>RF-1 (ROOF FLASHING) 10" X 26GA.</p>	<p>LENGTH (WEIGHT)</p>	<p>LIST PRICE</p>
<p>BF-2 (BASE FLASHING) 5 3/4" X 26GA.</p>	<p>10'-3" (5.00#)</p>	<p>Call</p>	<p>MA-5 (SINGLE SLOPE APEX)</p>	<p>(1.1#)</p>	<p>Call</p>
<p>PF-1 (PARTITION FLASHING) 13" X 26GA.</p>	<p>10'-3" (11.27#)</p>	<p>Call</p>	<p>CP-1 (CORNER PIECE)</p>	<p>(0.3#)</p>	<p>Call</p>

GENERAL NOTES:

- ① THE ABOVE FLASHINGS ARE FOR STANDARD B&C STEEL PANELS
- ② THE ABOVE PRICES ARE COLORED, WHITE & GALVALUME AND ARE F.O.B. SCOTTSBLUFF, NE.
- ③ PLEASE SPECIFY ROOF PITCH FOR FLASHINGS THAT REQUIRE IT.
- ④ Call for pricing 308-632-6188



# FLASHING PRICES

 <p>SC-1 (SIMPLE CORNER) 7" X 26GA.</p>	<p>LENGTH (WEIGHT)</p> <p>10'-3" (5.95#)</p> <p>14'-6" (8.65#)</p>	<p>LIST PRICE</p> <p>Call</p> <p>Call</p>	<p>SPECIFY ROOF PITCH</p>  <p>SS-1 (SOFFIT SPLICE) 7" X 26GA.</p> <p>USE AT PEAK OF CEILING LINER AND AT SOFFIT PEAK OF GABLE OVERHANG.</p>	<p>LENGTH (WEIGHT)</p> <p>10'-3" (5.95#)</p> <p>14'-6" (8.65#)</p>	<p>LIST PRICE</p> <p>Call</p> <p>Call</p>
 <p>SIC-1 (SIMPLE INSIDE CORNER) 7" X 26GA.</p>	<p>10'-3" (5.95#)</p> <p>14'-6" (8.65#)</p>	<p>Call</p> <p>Call</p>	 <p>LC-1 (LINER CAP) 4" X 26GA.</p>	<p>10'-3" (3.42#)</p> <p>14'-6" (4.56#)</p>	<p>Call</p> <p>Call</p>
 <p>ICF-1 (INSIDE CORNER) 12-3/4" X 26GA.</p>	<p>10'-3" (10.87#)</p> <p>14'-6" (15.22#)</p>	<p>Call</p> <p>Call</p>	 <p>OHF-1 (OVERHEAD DOOR LINER FLASHING) 8-1/2" X 26GA.</p> <p>FOR USE IN LIEU OF LINER PANELS ABOVE OVERHEAD DOORS.</p>	<p>10'-3" (7.27#)</p> <p>14'-6" (9.70#)</p>	<p>Call</p> <p>Call</p>

GENERAL NOTES:

- ① THE ABOVE FLASHINGS ARE FOR STANDARD B&C STEEL PANELS
- ② THE ABOVE PRICES ARE COLORED, WHITE & GALVALUME AND ARE F.O.B. SCOTTSBLUFF, NE.
- ③ PLEASE SPECIFY ROOF PITCH FOR FLASHINGS THAT REQUIRE IT.
- ④ Call for pricing 308-632-6188

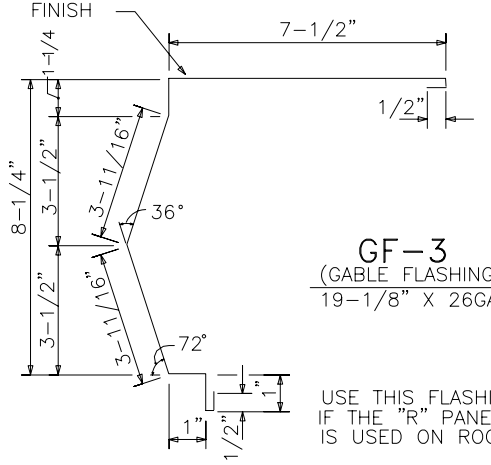
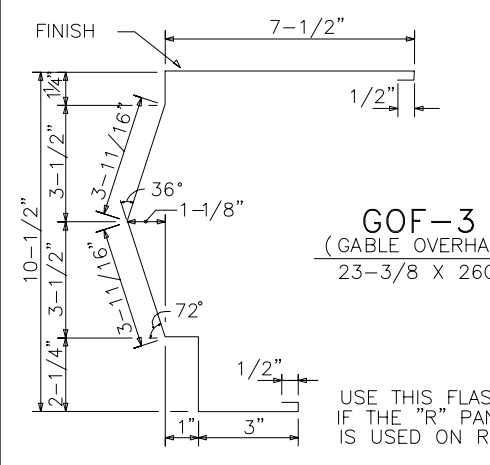
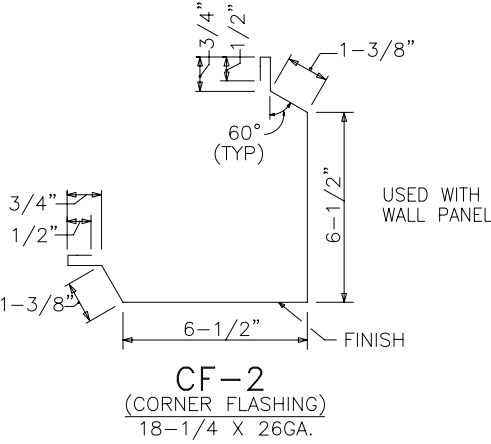
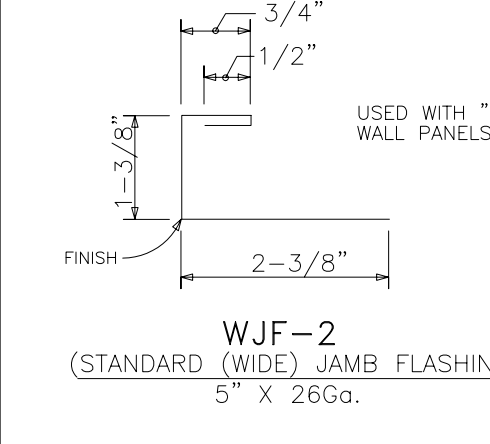
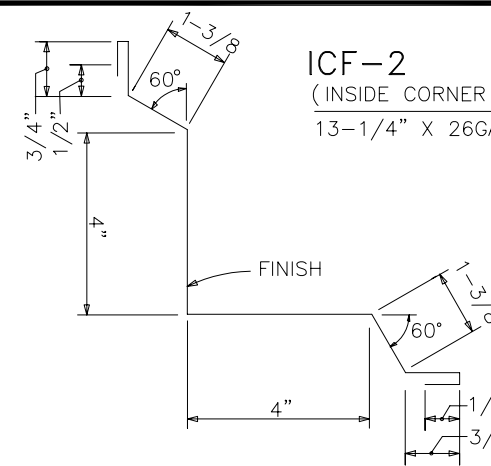
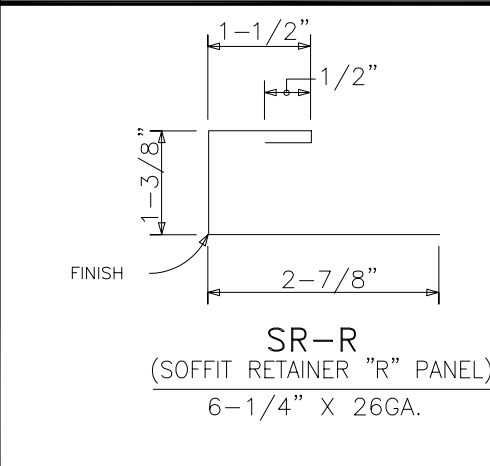
	LENGTH (WEIGHT)	LIST PRICE		LENGTH (WEIGHT)	LIST PRICE
<p>SG-1 (STD. GUTTER) 21-5/8 X 26GA.</p>	10'-3" (18.52#)	Call	<p>SPECIFY ROOF PITCH</p> <p>SE-1 (SIMPLE EAVE) 8" X 26GA.</p> <p>(USE WITH SG-1 AT EAVE)</p>	10'-3" (6.85#)	Call
	14'-6" (25.93#)	Call		14'-6" (9.59#)	Call
	20'-6" (37.04#)	Call			
<p>SGU-1 (1:12) SGU-2 (2:12) SGU-3 (3:12) SGU-4 (4:12) (GUTTER) 21-5/8" X 26GA.</p>	10'-3" (18.46#)	Call	<p>SPECIFY ROOF PITCH</p> <p>GU-3 ALTERNATE GUTTER 25" X 26GA.</p>	10'-3" (21.37#)	Call
	14'-6" (26.15#)	Call		14'-6" (29.01#)	Call
	20'-6" (36.92#)	Call		20'-6" (41.98#)	Call
<p>GU-2 ADD-ON GUTTER 21-3/4 X 26GA.</p>	10'-3" (18.57#)	Call	<p>DOWNSPOUT</p> <p>LENGTH X 4 1/4" X 2 7/8" X 26GA.</p> <p>(12.64#) (17.58#) (24.73#)</p>	10'-3"	Call
	14'-6" (26.43#)	Call	<p>EC-1L &amp; EC-1R (GUTTER END CAPS - LEFT &amp; RIGHT) 26GA. WT= 0.3</p> <p>(0.3#)</p>	Call	
	20'-6" (37.14#)	Call	<p>DOWNSPOUT STRAPS 26GA. WT= 0.2 #40006</p> <p>(0.2#)</p>	Call	
			<p>4" DOWNSPOUT DROPS 26GA. WT= 0.3 #40780</p> <p>(0.3#)</p>	Call	
			<p>GUTTER STRAPS (1" x 9" x 18GA.) WT=0.13 #40006</p> <p>(1.3#)</p>	Call	

GENERAL NOTES:

- ① THE ABOVE FLASHINGS ARE FOR STANDARD B&C STEEL PANELS
- ② THE ABOVE PRICES ARE COLORED, WHITE & GALVALUME AND ARE F.O.B. SCOTTSBLUFF, NE.
- ③ PLEASE SPECIFY ROOF PITCH FOR FLASHINGS THAT REQUIRE IT.
- ④ Call for pricing 308-632-6188

# FLASHING PRICES

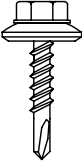
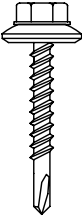
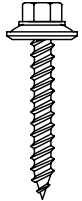


FINISH	LENGTH (WEIGHT)	LIST PRICE	FINISH	LENGTH (WEIGHT)	LIST PRICE
 <p><b>GF-3</b> (GABLE FLASHING) 19-1/8" X 26GA.</p> <p>USE THIS FLASHING IF THE "R" PANEL IS USED ON ROOF.</p>	10'-3" (15.54#)	Call	 <p><b>GOF-3</b> (GABLE OVERHANG) 23-3/8 X 26GA.</p> <p>USE THIS FLASHING IF THE "R" PANEL IS USED ON ROOF.</p>	10'-3" (19.59#)	Call
	14'-6" (22.88#)	Call		14'-6" (28.38#)	Call
	20'-6" (32.68#)	Call		20'-6" (39.86#)	Call
 <p><b>CF-2</b> (CORNER FLASHING) 18-1/4 X 26GA.</p> <p>USED WITH "R" WALL PANELS.</p>	10'-3" (15.63#)	Call	 <p><b>WJF-2</b> (STANDARD (WIDE) JAMB FLASHING) 5" X 26Ga.</p> <p>USED WITH "R" WALL PANELS.</p>	10'-3" (4.26#)	Call
	14'-6" (21.88#)	Call		14'-6" (6.38#)	Call
	20'-6" (30.63#)	Call		20'-6" (8.51#)	Call
 <p><b>ICF-2</b> (INSIDE CORNER) 13-1/4" X 26GA.</p> <p>FINISH</p>	10'-3" (11.30#)	Call	 <p><b>SR-R</b> (SOFFIT RETAINER "R" PANEL) 6-1/4" X 26GA.</p> <p>FINISH</p>	10'-3" (5.35#)	Call
	14'-6" (15.82#)	Call		14'-6" (6.95#)	Call
	20'-6" (22.60#)	Call		20'-6" (10.16#)	Call

GENERAL NOTES:

- ① THE ABOVE FLASHINGS ARE FOR STANDARD B&C STEEL PANELS
- ② THE ABOVE PRICES ARE COLORED, WHITE & GALVALUME AND ARE F.O.B. SCOTTSBLUFF, NE.
- ③ PLEASE SPECIFY ROOF PITCH FOR FLASHINGS THAT REQUIRE IT.
- ④ Call for pricing 308-632-6188

# FASTENERS

FASTENER TYPE	APPLICATION	PRICE PER 1000	
		GALV.	COLOR
 <p><u>SELF-DRILLER</u>            #14 x 7/8" SDS            HEAD SIZE = 5/16"            WT/1000 (GALV) = 13.89#            WT/1000 (COLR) = 14.09#</p>	PANEL TO PANEL FLASHING TO PANEL FLASHING SPLICE	Call	Call
 <p><u>SELF-DRILLER</u>            #12 X 1-1/4 SDS            HEAD SIZE = 5/16"            WT/1000 (GALV) = 15.15#            WT/1000 (COLR) = 15.39#</p>	PANEL TO FRAMING ANGLE TO FRAMING	Call	Call
 <p><u>WOOD GRIP</u>            #10 X 1-1/2            HEAD SIZE = 1/4"            WT/1000 = 12.00#</p>	PANEL TO WOOD FLASHING TO WOOD	Call	Call

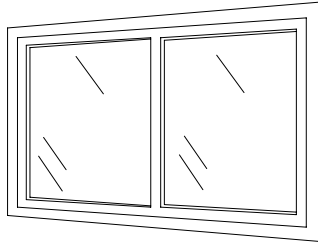



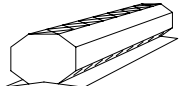
GENERAL NOTES:

- ① FOR PRICING PURPOSES WHITE IS CONSIDERED TO BE A COLOR.
- ② ALL OF THE ABOVE PRICES ARE F.O.B. SCOTTSBLUFF,NE.
- ③ Call for pricing 308-632-6188



# ACCESSORIES

B&C  
STEEL

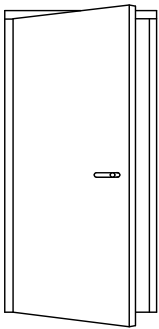
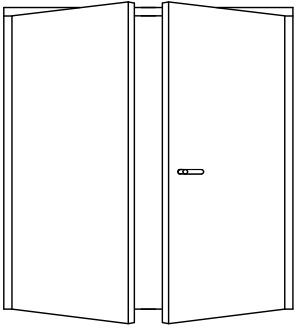
WINDOWS		SIZE	WEIGHT	PRICE	
 <p>ALL WINDOWS HAVE A BRONZE EXTRUDED ALUMINUM FINISH AND ARE THERMOPANE SLIDING SASH w/ SCREENS.</p>	3030	27.00#	QUOTE ONLY		
	4030	54.00#	QUOTE ONLY		
	4040	62.00#	QUOTE ONLY		
	6030	60.00#	QUOTE ONLY		
	6040	81.00#	QUOTE ONLY		
FIBERGLASS PANELS (SKYLIGHTS)		LENGTHS	WEIGHT	PRICE	
 <p>#41050 B&amp;C SKYLIGHT WHITE ONLY</p>	8'-6	14.45 #	QUOTE ONLY		
	#41060 10'-0	17.00 #	QUOTE ONLY		
	#41070 12'-0	20.40 #	QUOTE ONLY		
 <p>"R" SKYLIGHT WHITE ONLY</p>	10'-8	16.78 #	QUOTE ONLY		
	11'-0	17.39 #	QUOTE ONLY		
	11'-4	17.83 #	QUOTE ONLY		
	12'-0	18.97 #	QUOTE ONLY		
	13'-0	15.54 #	QUOTE ONLY		
<p>FLAT SHEETS STANDARD COLORS 26 GA. #40260 #40235</p> 	FINISH	WIDTH	LENGTH	WEIGHT	PRICE
	COLOR	43-1/4"	10'-0	29.30#	QUOTE ONLY
	WHITE	43-1/4"	10'-0	29.30#	QUOTE ONLY
	GALVALUME	43-1/4"	10'-0	29.30#	QUOTE ONLY
<p>RIDGE VENTS (w/ BIRD SCREEN)</p> 	FINISH	SIZE	DAMPER	WEIGHT	PRICE
	WHITE	12 X 10 -0	YES	150.00#	QUOTE ONLY

GENERAL NOTES:

- ① PRICES SHOWN ABOVE ARE PER EACH UNLESS NOTED.
- ② ALL OF THE ABOVE PRICES ARE F.O.B. SCOTTSBLUFF,NE.
- ③ ALL THE ABOVE SKYLIGHTS ARE 8 oz. EXCEPT FOR THE 13'-0 'R' PANEL WHICH IS 6 oz.
- ④ Call for pricing 308-632-6188



# WALKDOORS

	WEIGHT		TYPE		PRICE	TOTAL
	215.00#	#41310	3070 <u>M</u>	LEAF	CALL	CALL
		#41311		FRAME KIT	CALL	
	255.00#	#41325	4070 <u>M</u>	LEAF	CALL	CALL
		#41326		FRAME KIT	CALL	
3070 & 4070 WALKDOORS INCLUDE: LEAF, FRAME, HINGES, LEVER LOCKSET, SWEEP THRESHOLD AND WEATHERSTRIP.	330.00#	#41310	6070 <u>M</u>	2 LEAFS	CALL	CALL
		#41330		FRAME KIT	CALL	
	215.00#	#41310	3070 <u>G</u>	LEAF	CALL	CALL
		#41311		FRAME KIT	CALL	
	255.00#	#41325	4070 <u>G</u>	LEAF	CALL	CALL
		#41326		FRAME KIT	CALL	
6070 WALKDOORS INCLUDE: LEAF, FRAME, HINGES, LOCKSET, SWEEP, THRESHOLD, ASTRAGAL, AND COVER PLATE FOR INACTIVE LEAF AND WEATHERSTRIP.	330.00#	#41310	6070 <u>G</u>	2 LEAFS	CALL	CALL
		#41330		FRAME KIT	CALL	
WALK DOOR ACCESSORIES						
		41370	LEVER LOCKSET			CALL
		41350	PANIC DEVICE			CALL
		41340	CLOSER			CALL
		41375	HINGES 1 1/2 PAIR			CALL

G WALKDOORS ARE PREPARED FOR GLASS BUT DO NOT INCLUDE GLASS.

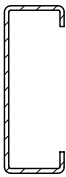
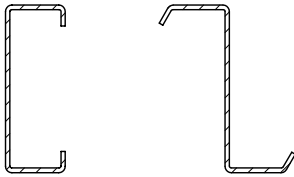
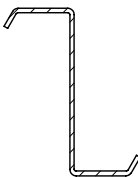
NOTE:  
 CUT GLASS FOR DOORS  
 TO: 29-5/8" X 23-3/4"

GENERAL NOTES:

- ① PRICES SHOWN ABOVE ARE PER EACH UNLESS NOTED.
- ② ALL OF THE ABOVE PRICES ARE F.O.B. SCOTTSBLUFF, NE.
- ③ ALL OF THE ABOVE WALKDOORS COME IN WHITE ONLY.
- ④ CALL FOR PRICING (308) 632-6188

# CEE'S AND ZEE'S

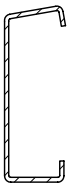
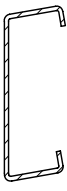
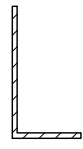


CEES (IN STOCK)	DESCRIPTION	WEIGHT PER FOOT	PRICE FOR RED OXIDE
 <p>#30040 #30030 #30020</p>	8 X 2-1/2 X 16 GA.	2.83	Call
	8 X 2-1/2 X 14 GA.	3.54	Call
	8 X 2-1/2 X 12 GA.	5.13	Call
	10 X 2-1/2 X 14 GA.	4.05	Call
	10 X 2-1/2 X 12 GA.	5.84	Call
<p><u>CEES AND ZEES</u> (AVAILABLE BY SPECIAL ORDER)</p>  <p>ADDITIONAL FREIGHT FOR SMALL ORDERS</p>	4 X 2-1/2 X 16 GA.	2.09	QUOTE ONLY
	4 X 2-1/2 X 14 GA.	2.68	
	6 X 2-1/2 X 16 GA.	2.50	
	6 X 2-1/2 X 14 GA.	3.22	
	8 X 2-1/2 X 16 GA.	2.92	
	8 X 2-1/2 X 14 GA.	3.76	
	8 X 2-1/2 X 12 GA.	5.13	
	8 X 3-1/2 X 14 GA.	4.29	
	8 X 3-1/2 X 12 GA.	5.87	
	10 X 2-1/2 X 14 GA.	4.29	
10 X 2-1/2 X 12 GA.	5.87		
10 X 3-1/2 X 14 GA.	4.82		
10 X 3-1/2 X 12 GA.	6.60		
<p><u>ZEES ONLY (SPECIAL ORDER)</u></p> 	12 X 3-1/2 X 14 GA.	5.36	QUOTE ONLY
12 X 3-1/2 X 12 GA.	7.37		

GENERAL NOTES:

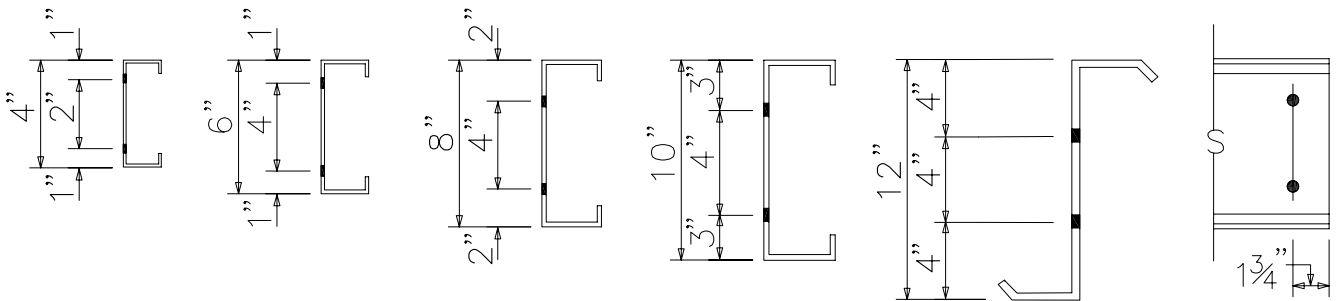
- ① PRICES FOR GALVANIZED ARE AVAILABLE UPON REQUEST.
- ② ALL OF THE ABOVE PRICES ARE F.O.B. SCOTTSBLUFF, NE.
- ③ OTHER SIZES AND CONFIGURATIONS ARE AVAILABLE UPON REQUEST.
- ④ Call for pricing 308-632-6188

# CEES AND ANGLES

EAVE STRUTS (IN STOCK)	DESCRIPTION	WEIGHT PER FOOT	PRICE FOR RED OXIDE																								
 <p>SINGLE SLOPE</p>  <p>DOUBLE SLOPE</p>	<p>8 X 2-1/2 X 16 GA. 8 X 2-1/2 X 14 GA.</p> <p>OTHER SIZES ARE AVAILABLE THROUGH SPECIAL ORDER.</p>	<p>2.83 3.54</p>	<p>QUOTE ONLY QUOTE ONLY</p>																								
<p>MISC. ANGLES</p> 	<table border="0"> <tr> <td>#30461</td> <td>1 1/2 x 2 1/2 x 14GA.x</td> <td>12'-0</td> <td>FOR BASE</td> </tr> <tr> <td>#30460</td> <td>2 x 5 x 16GA.x</td> <td>12'-0</td> <td>FOR RAKE</td> </tr> <tr> <td>#30190</td> <td>2 x 3 x 14GA.x</td> <td>10'-0</td> <td>SHEETING</td> </tr> <tr> <td>#30459</td> <td>2 x 8 x 16GA.x</td> <td>10'-0</td> <td>LINER (EAVE)</td> </tr> <tr> <td>#30006</td> <td>4 x 4 x 16GA.x</td> <td>10'-0</td> <td>MISC.</td> </tr> <tr> <td>#30462</td> <td>1 x 1 x 1/8 x</td> <td>20'-0</td> <td>BRIDGING</td> </tr> </table> <p>OTHER SIZES AVAILABLE UPON REQUEST.</p>	#30461	1 1/2 x 2 1/2 x 14GA.x	12'-0	FOR BASE	#30460	2 x 5 x 16GA.x	12'-0	FOR RAKE	#30190	2 x 3 x 14GA.x	10'-0	SHEETING	#30459	2 x 8 x 16GA.x	10'-0	LINER (EAVE)	#30006	4 x 4 x 16GA.x	10'-0	MISC.	#30462	1 x 1 x 1/8 x	20'-0	BRIDGING	<p>0.97 1.48 1.05 2.11 1.69 0.80</p>	<p>Call Call Call Call Call Call</p>
#30461	1 1/2 x 2 1/2 x 14GA.x	12'-0	FOR BASE																								
#30460	2 x 5 x 16GA.x	12'-0	FOR RAKE																								
#30190	2 x 3 x 14GA.x	10'-0	SHEETING																								
#30459	2 x 8 x 16GA.x	10'-0	LINER (EAVE)																								
#30006	4 x 4 x 16GA.x	10'-0	MISC.																								
#30462	1 x 1 x 1/8 x	20'-0	BRIDGING																								

## STANDARD PUNCHING PATTERNS

FOR CEE'S AND ZEE'S



SPECIAL PUNCHING IS AVAILABLE UPON REQUEST.

### GENERAL NOTES:

- ① PRICES FOR GALVANIZED ARE AVAILABLE UPON REQUEST.
- ② ALL OF THE ABOVE PRICES ARE F.O.B. SCOTTSBLUFF, NE.
- ③ OTHER SIZES AND CONFIGURATIONS ARE AVAILABLE UPON REQUEST.
- ④ Call for pricing 308-632-6188

# STANDARD CLIPS/PLATES



CLIP	PRICE (EA.)	CLIP	PRICE (EA.)
<p>#30170</p> <p>USE THIS CLIP AT BASE OF AN 8" CEE USED FOR FRAMED OPENING. ALSO FOR HEADER END PLATE.</p> <p>BP-3 3-1/2 X 3/16 X 8" WT = 1.5</p>	Call	<p>USE THIS CLIP AT BASE OF A 10" CEE USED FOR FRAMED OPENING.</p> <p>BP-31 3-1/2 X 3/16 X 10" WT = 1.86</p>	Call
<p>#30470</p> <p>USE THIS CLIP FOR COLUMN WITH 8" &amp; LESS FLANGE WIDTH AND AT 8", 10", &amp; 12" CEE'S (JAMBS, COLS, ETC)</p> <p>GC-1 6 X 3/16 X 7" WT = 2.27</p>	Call	<p>#30467</p> <p>USE THIS CLIP WHERE AN 8" CEE JAMB CONNECTS TO A GIRT.</p> <p>GCA-2A 6 X 3/16 X 8-1/8 BENT PL WT = 2.59</p>	Call
<p>#30183</p> <p>USE THIS CLIP AT A CORNER COLUMN TO ENDWALL GIRT CONNECTION.</p> <p>GC-4 3 1/8 X 3/16 X 6 WT = 1.00</p>	Call	<p>#30212</p> <p>USE THIS CLIP FOR 8" PURLIN TO RAFTER CONNECTION.</p> <p>PC-5 6 X 3/16 X 7-5/8 WT = 2.43</p>	Call

GENERAL NOTES:

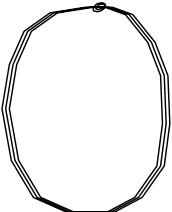
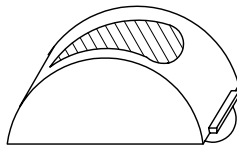
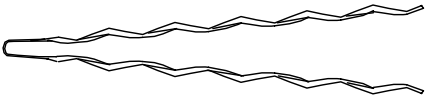
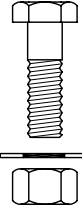
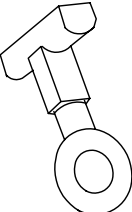
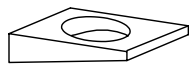
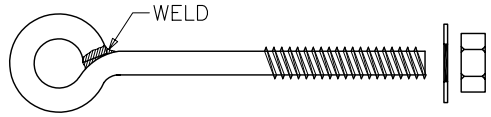
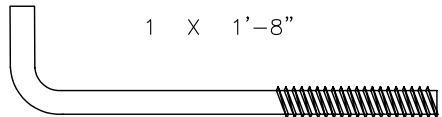
- ① PRICES SHOWN ABOVE ARE PER CLIP/PLATE.
- ② ALL OF THE ABOVE PRICES ARE F.O.B. SCOTTSBLUFF, NE.
- ③ OTHER SIZES AND CONFIGURATIONS ARE AVAILABLE UPON REQUEST.
- ④ Call for pricing 308-632-6188

# STANDARD CLIPS

CLIP	PRICE	CLIP	PRICE
<p>#30214</p> <p>9/16 DIA. HOLES</p> <p>4"</p> <p>4"</p> <p>3 1/2"</p> <p>USE THIS CLIP FOR 10" PURLIN TO RAFTER CONNECTION.</p> <p>RAFTER</p> <p>PC-51</p> <p>6 X 3/16 X 8-5/8</p> <p>WT = 2.75</p>	<p>Call</p>	<p>#30162</p> <p>9/16 X 1" SLOTS</p> <p>6"</p> <p>12"</p> <p>USE THIS CLIP AT THE TOP OF A SELF-FRAMING WALKDOOR WITH A GIRT AT 8'-0" AND THE TOP OF DOOR AT 7' 0".</p> <p>CUSTOM LENGTHS ARE AVAILABLE. PLEASE CALL.</p> <p>DC-12</p> <p>6" X 10GA. X 15-1/2" BENT PLT.</p> <p>WT = 3.25</p>	<p>Call</p>
<p>#30561</p> <p>5 1/4"</p> <p>7"</p> <p>4 9/16"</p> <p>9/16 DIA. HOLES</p> <p>11/16 X 2 3/4 SLOT</p> <p>11/16 X 1 5/8 SLOT</p> <p>USE THIS CLIP AT LEFT JAMB TO EAVE STRUT CONNECTION</p> <p>JC-L</p> <p>7 X 3/16 X 9-7/16 BENT PL</p> <p>WT = 3.51</p>	<p>Call</p>	<p>#30562</p> <p>5 1/4"</p> <p>7"</p> <p>4 9/16"</p> <p>9/16 DIA. HOLES</p> <p>11/16 X 2 3/4 SLOT</p> <p>11/16 X 1 5/8 SLOT</p> <p>USE THIS CLIP AT LEFT JAMB TO EAVE STRUT CONNECTION</p> <p>JC-R</p> <p>7 X 3/16 X 9-7/16 BENT P</p> <p>WT = 3.51</p>	<p>Call</p>

GENERAL NOTES:

- ① PRICES SHOWN ABOVE ARE PER CLIP/PLATE.
- ② ALL OF THE ABOVE PRICES ARE F.O.B. SCOTTSBLUFF, NE.
- ③ OTHER SIZES AND CONFIGURATIONS ARE AVAILABLE UPON REQUEST.
- ④ Call for pricing 308-632-6188

DECIPTION	PRICE	DECIPTION	PRICE
<p>#41270</p>  <p><u>STRAND (FOR CABLE BRACING)</u> EXTRA HIGH STRENGTH (EHS) GALVANIZED STEEL STRAND 3/8' DIAMETER</p> <p><u>MAXIMUM BREAKING STRENGTH</u> 15,400 lbs.</p>	<p>Call PER 100 FT</p>	<p>#41260</p> <p><u>3/4" HILLSIDE WASHER</u></p>  <p>(USE 1 PER EYEBOLT)</p>	<p>Call</p>
<p>#41220</p> <p><u>BRACE GRIP</u></p>  <p>EXTRA HIGH STRENGTH (EHS) GALVANIZED STEEL</p> <p><u>MAXIMUM BREAKING STRENGTH</u> 15,400 lbs. (USE 2 PER CABLE BRACE)</p>	<p>Call</p>	 <p><u>1/2" X 1-1/4" GR. 5 BOLTS</u> w/NUT &amp; WASHER</p> <p><u>3/4" X 2" A-325 BOLTS</u> w/NUT</p> <p><u>3/4" X 2-1/2" A-325 BOLTS</u> w/NUT</p> <p>WE ALSO CARRY MANY OTHER SIZES OF HIGH STRENGTH (A-325) BOLTS. CALL.</p>	<p>Call</p> <p>Call</p> <p>Call</p>
<p>#41210</p>  <p><u>BRACE EYE</u></p> <p>WILL DEVELOPE 100 % OR MORE OF THE RATED BREAKING STRENGTH OF THE EHS STRAND FOR WHICH IT IS DESIGNED.</p> <p>(USE 1 PER CABLE BRACE)</p>	<p>Call</p>	<p>#40420</p> <p><u>3/4" DIA. BEVELED WASHERS</u></p> 	<p>Call</p>
<p>#41230</p> <p><u>3/4" DIAMETER EYE BOLT w/NUT &amp; WASHER</u></p>  <p>(USE 1 PER CABLE BRACE)</p>	<p>Call</p>	<p><u>ANCHOR BOLTS</u> w/NUT &amp; WASHER</p> <p>3/4 X 1'-3" 1 X 1'-8"</p> 	<p>Call</p> <p>Call</p>

GENERAL NOTES:

- ① PRICES SHOWN ABOVE ARE PER EACH UNLESS NOTED.
- ② ALL OF THE ABOVE PRICES ARE F.O.B. SCOTTSBLUFF,NE.
- ③ Call for pricing 308-632-6188